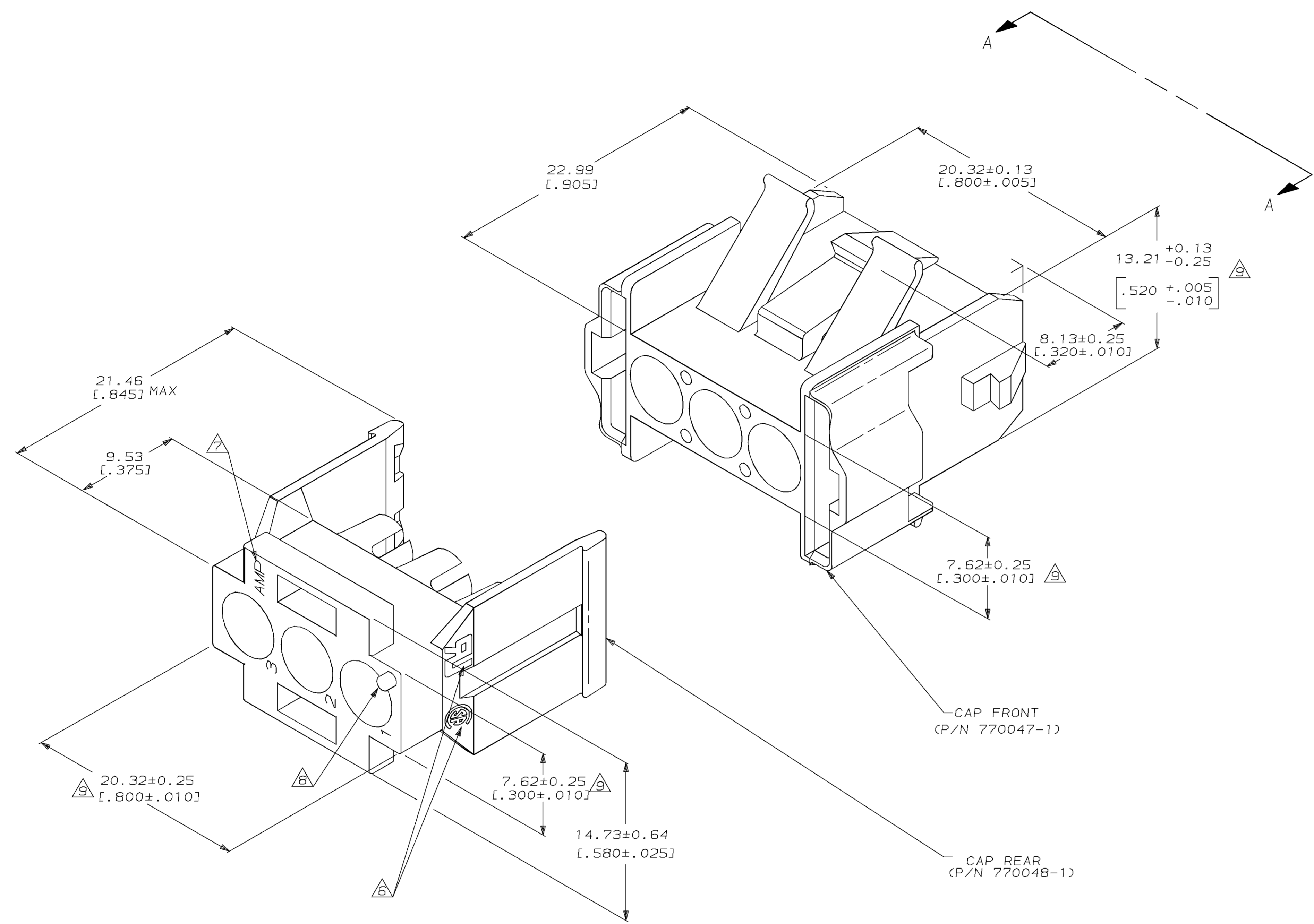
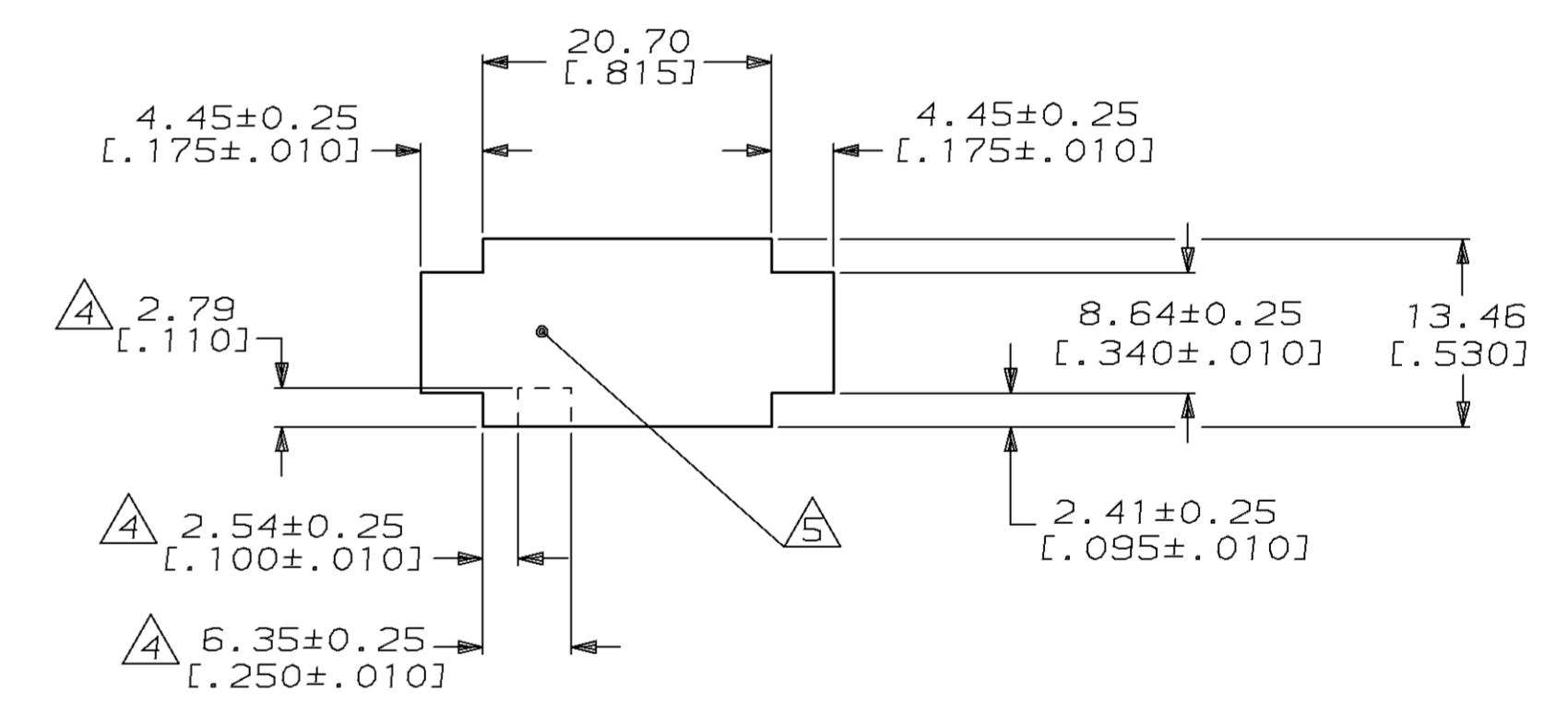


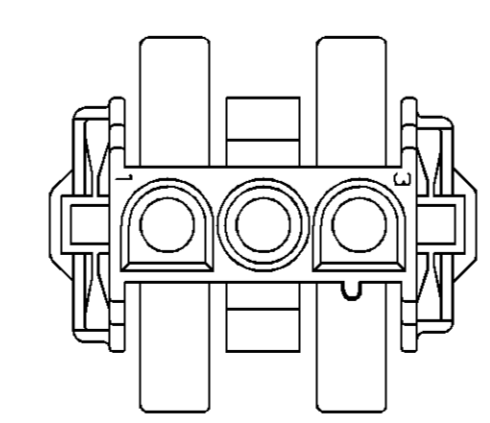
LOC		DIST		P		F		ZONE		LTR		REVISIONS		DATE	APPD
CM	53											H	REV PER EC 0L30-0060-96	10-1-96	JH



- BULK PACKAGED, UNASSEMBLED.
- RECOMMENDED PANEL THICKNESS 0.76-2.29 [.030-.090].
- PANEL MUST BE PUNCHED SO THAT THE HOUSING ENTERS THE PANEL IN THE SAME DIRECTION AS THE PUNCH.
- OPTIONAL FOR KEYING HOUSING IN PANEL.
- CIRCUIT NO. 1 LOCATON.
- APPROVAL AGENCY LOGO LOCATED APPROXIMATELY AS SHOWN.
- AMP LOGO LOCATED THIS SURFACE.
- CIRCUIT NUMBER ONE IDENTIFICATION BUTTON AND CIRCUIT IDENTIFICATION NUMBERS ARE EACH LOCATED ADJACENT TO THE APPROPRIATE CIRCUIT CAVITIES.
- DIMENSION INDICATED IS AS MOLDED. ADDITIONAL GROWTH DUE TO SUBSEQUENT MOISTURE ABSORPTION MAY OCCUR.



RECOMMENDED PANEL CUTOUT
 (HOUSING ENTRY SIDE)
 SCALE 2:1



VIEW A-A
 SCALE 2:1



770025-1
 PART NUMBER

DO NOT SCALE PRINT. UNLESS SPECIFIED DIMENSIONS IN INCHES TOLERANCES ON : 1 PLC DEC ± 0.13 [.005] 2 PLC DEC ± 0.13 [.005] 3 PLC DEC ± 0.13 [.005] ANGLES ± 0.13		DR 1-22-92 K. SALMON		PART NO	
MATERIAL NYLON, UL94V-0,		CHK 1-22-92 R. SWING		AMP INCORPORATED Harrisburg, Pa. 17105	
FINISH		APPD 1-22-92 M. TRULL		NAME CAP HOUSING KIT, 3 CIRCUIT, IN-LINE, UNIVERSAL MATE-N-LOK™ II	
APPLICATION SPEC		APPD 1-22-92 M. TRULL		DRAWING NO 770025	
WEIGHT		PRODUCT SPEC		SIZE D 00779	
				SCALE 5:1	
				SHEET 1 OF 1	